

Product Specifications

PG52 Cardioid Dynamic Kick Drum Microphone

Overview

The PG52 Cardioid Dynamic Kick Drum Microphone is a professional quality microphone designed to be used in kick drum and other low frequency applications. With rugged durability and excellent sound, the PG52 features a swivel joint for ease of placement, carrying pouch and choice of with XLR cable, or without.

Features

- Tailored frequency response is smooth and extended. Tuned specifically for kick drum applications.
- Cardioid polar pattern picks up the most sound from in front of the microphone and some sound from the sides. Less susceptible to feedback in high volume settings.
- Dynamic cartridge has a simple, rugged coil. Handles extreme volume levels without distortion.
- Cartridge includes a neodymium magnet for high output level.
- Internal shock mount for reduced handling noise.
- Durable metal construction.
- Integral stand mount.
- Hardened steel mesh tapered grille that resists wear and abuse.
- Includes 15ft (4.57m) cable and storage bag.



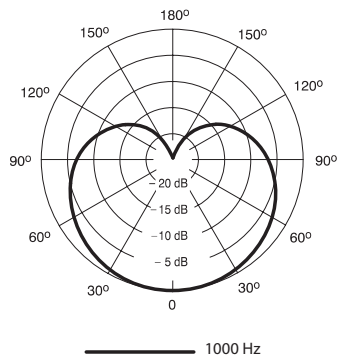
PG52

Available Models

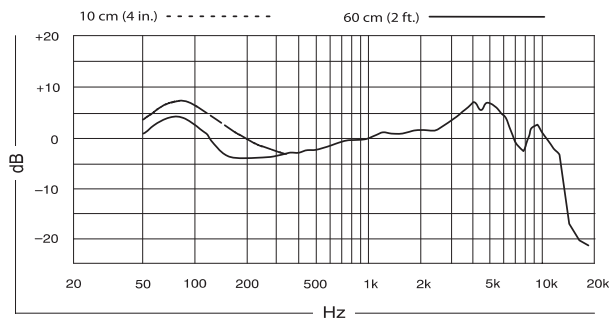
| | |
|-----------------|--|
| PG52-XLR | Includes an Integrated Stand Mount, 15ft (4.57m) XLR to XLR Cable, 5/8" to 3/8" Thread Adapter, and a Storage Bag. |
| PG52-LC | Includes an Integrated Stand Mount, 5/8" to 3/8" Thread Adapter, and a Storage Bag. |

Specifications

| | |
|---------------------------------|---|
| Microphone Type | Dynamic (moving coil) |
| Polar Pattern | Cardioid (unidirectional) |
| Frequency Response | 30 to 13,000 Hz |
| Polarity | Positive pressure on diaphragm produces positive voltage on pin 2 relative to pin 3 of microphone output connector |
| Output Impedance (at 1000 Hz) | 300 ohms |
| Sensitivity (at 1000 Hz) | -55 dBV/Pa, (1.8 mV), 1 Pascal=94 dB SPL |
| Electromagnetic Hum Sensitivity | 25 dB equivalent SPL in a 1 millioersted field (60 Hz) |
| Connector | Three-pin professional audio connector (male XLR type) |
| Case | Die cast metal housing, black matte finish; hardened silver colored, tapered steel mesh grille; built-in locking stand adapter |
| Environmental Conditions | This microphone operates over a temperature range of -29 to 57 degrees Celsius (-20 to 135 degrees Fahrenheit), and at a relative humidity of 0 to 95%. |
| Weight | Net: 470 g (16.8 oz) Packaged: 1053 g (2 lbs 5 oz) |



Polar Pattern
Measured at 1000 Hz



Frequency Response

SHURE[®]
LEGENDARY
PERFORMANCE[™]