

# Product Specifications

## SBC220 Networked Docking Charger

### Overview

The SBC220 networked docking charger provides a compact charging and storage solution for any combination of 2 SB900 or SB900A batteries, ULXD1, QLXD1 or AD1 (bodypack) or ULXD2, QLXD2 or AD2 (handheld) transmitters using Shure rechargeable batteries. The charger is network-enabled to allow for remote monitoring of charger and battery parameters using Shure Wireless Workbench® software. Connect up to 4 SBC220 or SBC240 chargers together to share power and network connectivity.

- Charging for any combination of up to 2 supported batteries, or transmitters using Shure rechargeable batteries
- Connect up to 4 of any combination of SBC220 and SBC240 chargers together to share power and network connections and save space
- LEDs indicate charge status and battery errors
- Storage mode to prepare batteries for long-term storage
- Network-enabled for remote monitoring
- Reset button restores charger to factory settings

### Product Specifications

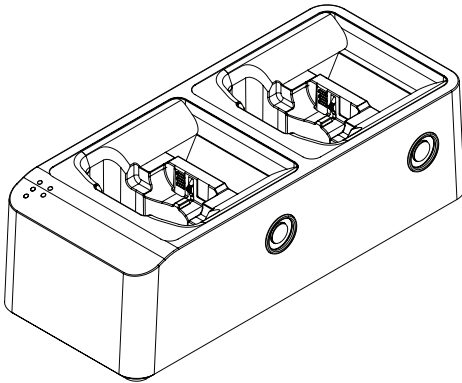
Compatible Batteries	Up to 2 SB900/SB900A
Compatible Transmitters	Up to 2 ULXD1, ULXD2, QLXD1, QLXD2, AD1 or AD2
Charge Current	0.75 A maximum
Charge Time	1 hour = 50% charged; 3 hours = 100% charged
External Power Supply	PS60
Power Requirement	15 V, 4 A maximum
Housing	Molded Plastic
Dimensions	66.31 mm x 88.74 mm x 210.82 mm (2.61 in. x 3.49 in. x 8.30 in.) H x W x D
Weight	0.45 kg (1 lb) without batteries
Operating Temperature Range	0 °C (32 °F) to 45 °C (113 °F) <i>Note: Battery characteristics may limit this range.</i>
Storage Temperature Range	-29 °C (-20 °F) to 74 °C (165 °F)
Network Interface	10/100 Mbps Ethernet
Network Addressing Capability	DHCP or Manual IP address

### Available Models

SBC220	Networked Docking Charger
--------	---------------------------

### Furnished Accessories

PS60	Power Supply
------	--------------



SBC220  
Networked Docking Charger

**SHURE**®

LEGENDARY  
PERFORMANCE™

[www.shure.com](http://www.shure.com)

©2018 Shure Incorporated