

# Product Specifications

## Beta 91 Half-cardioid Condenser Boundary Microphone

### Overview

The Shure Beta 91 is specifically designed for kick drums and other bass instruments. It combines superior "attack" and "punch" for studio quality sound, even at the extremely high sound pressure levels (SPL) encountered inside a kick drum. Its boundary effect design produces a strong, solid low-end response that has been specifically tailored for heavy bass applications.



**BETA 91**

### Features

- Premier live performance microphone
- Uniform cardioid (hemisphere above mounting surface) pick up pattern for maximum gain and rejection of off axis sound
- Tailored frequency response specifically shaped for kick drums and bass instruments
- Wide dynamic range for use in high sound pressure level (SPL) environments
- Low profile design requires no external mounting hardware
- Steel grille and die-cast metal construction resist wear and abuse
- Furnished with RPM626 preamplifier, TA3F to TA4F cable and zippered storage bag
- Phantom powered
- Shure quality, ruggedness and reliability

### Available Models

<b>BETA 91</b>	Half-cardioid condenser kick-drum microphone with RPM626 in-line preamplifier
----------------	---

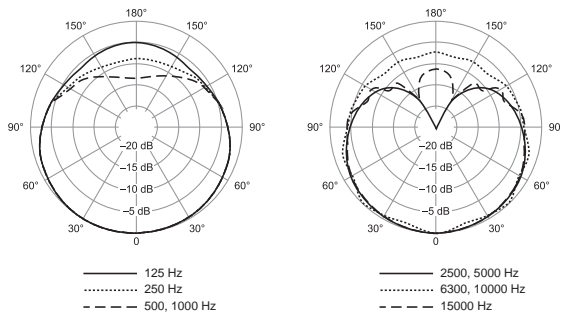
### Specifications

Cartridge Type	Condenser (electret bias)
Frequency Response	20 to 20,000 Hz
Polar Pattern	Half-cardioid (cardioid in hemisphere above mounting surface)
Output Impedance	150 ohms
Maximum SPL (1 kHz at 1% THD, 1k ohms load)	156 dB
Signal-to-Noise Ratio (referenced at 94 dB SPL at 1 kHz)	59.0 dB S/N ratio is difference between 94 dB SPL and equivalent SPL of self noise, A-weighted
Dynamic Range (at 1 kHz, 1 k ohms load)	125 dB
Clipping Level (1 kHz at 0.25% THD, 1k ohms load)	2 dBV (1.26 V)
Polarity	Positive pressure on diaphragm produces positive voltage on pin 2 with respect to pin 3
Weight	Net: 0.382 kg (0.842 lbs)
Power Requirements	(48 Vdc $\pm$ 4 Vdc phantom)

### Furnished Accessories

<b>C98D</b>	4.6 m (15 ft) heavy-duty cable	<b>95A2314</b>	Carrying/Storage Bag
<b>RPM626</b>	In-Line Preamplifier (1 piece)		

**Polar Pattern**



**Frequency Response**

