

DM 6680 P Conference Unit

- Delegate conference unit for tabletop placement
- 3-button, 5-button and proxy voting
- Chip card reader
- Two headphone jacks for listening to language interpretation
- Customizable buttons/button overlays
- Reply function to allow brief comments or questions during a conference



Description

The DM 6680 P is a fully-digital, portable delegate unit in the DCS 6000 Digital Conference System. Compatible with any DCS 6000 series conference unit, the DM 6680 P offers the delegate advanced functionality and control. An integrated card reader enables automatic, secure user sign in.

The microphone button enables the user to activate/deactivate the microphone, indicated by the LED ring on the microphone. The floor channel is distributed through the built-in loudspeaker except when the microphone is turned on. There are two headphone jacks to listen to the floor channel or one of the 31 interpretation channels.

The DM 6680 P has advanced delegate operation that is supported during a conference. During normal operation the two buttons on the left change the interpretation channels, while the two buttons on the right change the volume of the channel selector. During voting sessions the buttons act as voting buttons, whether it is a 3-button or 5-button voting session is active.

The mute button can be exchanged to match the current functionality of the unit, including the Reply feature. Improving the flow of the conference, Reply mode enables the user to briefly comment or ask a question to the present speaker without affecting the current speakers or request queue. Reply mode is available in VOX, Manual, and Automatic microphone operating modes.

The gooseneck microphones GM 652x or GM 6622 can be locked to the unit with a 1.5 mm hex key. The lock is accessible from the small hole to the left of the XLR socket. Turn the hex key counter clockwise to lock the gooseneck microphone to the unit and turn the hex key clockwise to unlock the gooseneck microphone from the unit.

The unit can be placed on a surface for use, or can be fixed to the table using the mounting holes underneath the unit.

Features

The DM 6680 P has the following standard features:

- Conference unit delegate operation
- Enables 3- and 5-button voting sessions and attendance check
- Functions in all DIS microphone operation modes: Automatic, FIFO, Manual and VOX (voice activation)
- Support for three microphone interrupt modes enabling 'ping pong' mode
- Supports Reply functionality to briefly comment or ask a question to the present speaker
- Voice activation and automatic-off microphone features
- Two headphone connectors for listening to interpretation channels
- Chip card reader for secure delegate login
- Fully digital audio transmission
- Two RJ-45 ports provide power, audio, and control transport across a single chain of chairman, delegate, and interpretation units
- DCS-LAN connection uses CAT 5e (or higher) shielded F/UTP or U/FTP cabling
- Exchangeable buttons for alternate functions and different languages
- Lockable XLR gooseneck microphone connector
- High-quality loudspeaker for listening to the conference

Specifications

Electrical

Frequency response (headphones)	65 Hz-16 kHz
Frequency range (loudspeaker)	150 Hz-15 kHz
Power consumption	2.0 W
Power maximum (loudspeaker)	3.0 W RMS
THD	< 0.1 %
Signal-to-noise ratio	> 90 dBA
Headphone connection	Two 3.5 mm jacks, female stereo sockets

Interconnections

DCS-LAN	Two RJ45 female sockets with auto-termination
----------------	---

Mechanical

Mounting	Tabletop or fixed
Dimensions (H x W x D)	74 x 268 x 153 mm
Weight	900 g
Color	Black/grey
Temperature range	5° to 40° C

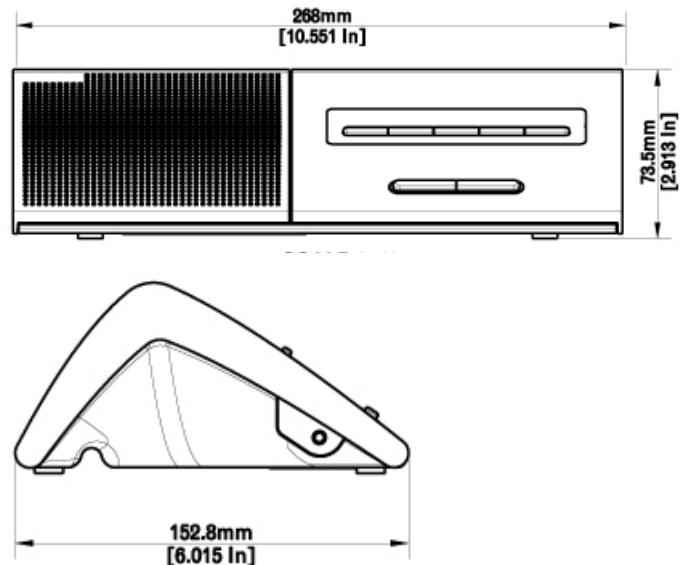
Certifications

The DCS 6000 system conforms to standard IEC 60914.

How To Order

Portable delegate conference unit. Features 5-button voting, chip card reader, channel selector, headphone output, and loudspeaker. Includes two overlay options for standard or proxy voting.	DM 6680 P
English Reply button DC 61xx -10PK	ACC-DC 61xx 10PK
French Reply button Dx 66/69xx -10PK	ACC-FR-REP 10PK
English Reply button Dx 66/69xx -10PK	ACC-GB-REP 10PK
Russian Reply button Dx 66/69xx -10PK	ACC-RU-REP 10PK
Simplified Chinese Reply button Dx 66/69xx -10PK	ACC-ZH-REP 10PK
Arabic buttons for DM 6680 P & DC 6990 P	DC 6990 ACC-AR
Spanish buttons for DM 6680 P & DC 6990 P	DC 6990 ACC-ES
French buttons for DM 6680 P & DC 6990 P	DC 6990 ACC-FR
English buttons for DM 6680 P & DC 6990 P. Includes tool for fixing gooseneck mic buttons	DC 6990 ACC-GB
Russian buttons for DM 6680 P & DC 6990 P	DC 6990 ACC-RU
Chinese (traditional) buttons for DM 6680 P & DC 6990 P	DC 6990 ACC-TW
Vietnamese buttons for DM 6680 P & DC 6990 P	DC 6990 ACC-VN
Chinese (simplified) buttons for DM 6680 P & DC 6990 P	DC 6990 ACC-ZH
Spare Part Set DCS 6000 P	SPS DCS 6000 P

Drawing



SHURE®
LEGENDARY
PERFORMANCE™

United States, Canada,
Latin America, Caribbean:
Shure Incorporated
5800 West Touhy Avenue
Niles, IL 60714-4608 USA

Phone: +1 847-600-2000
Fax: +1 847-600-1212 (USA)
Fax: +1 847-600-6446
Email: info@shure.com
www.shure.com

Europe, Middle East, Africa:
Shure Europe GmbH
Jakob-Dieffenbacher-Str. 12,
75031 Eppingen, Germany

Phone: +49-7262-92490
Fax: +49-7262-9249114
Email: info@shure.de
www.shure.eu

Asia, Pacific:
Shure Asia Limited
22/F, 625 King's Road
North Point, Island East
Hong Kong

Phone: +852-2893-4290
Fax: +852-2893-4055
Email: info@shure.com.hk
www.shureasia.com