



SHURE BROTHERS

Designers and Manufacturers of Microphones and Acoustic Devices

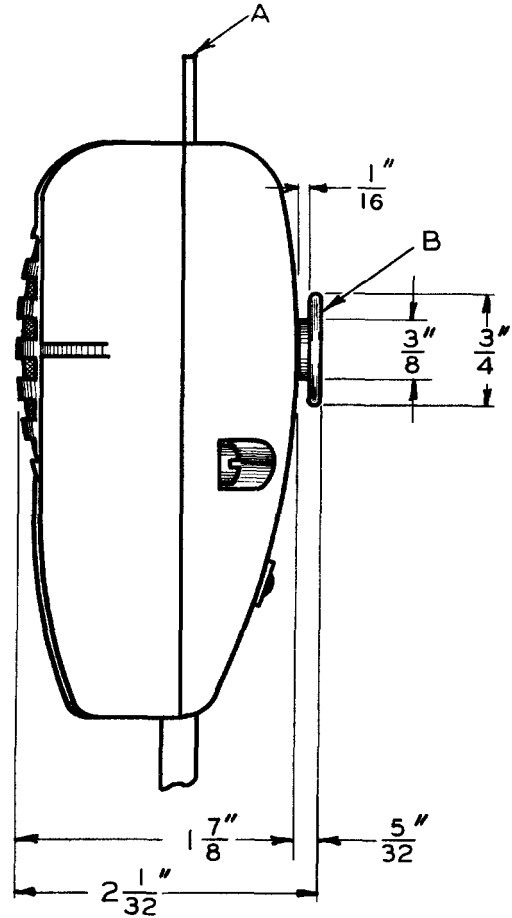
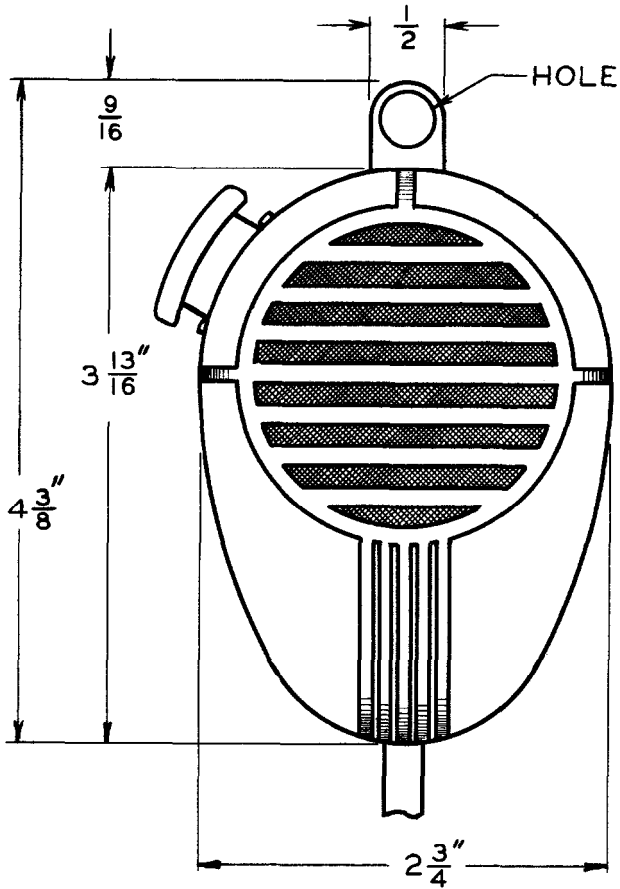
225 WEST HURON STREET · CHICAGO 10, ILLINOIS · PHONE DELAWARE 4550 · CABLE: SHUREMICRO

SPECIFICATION SHEET

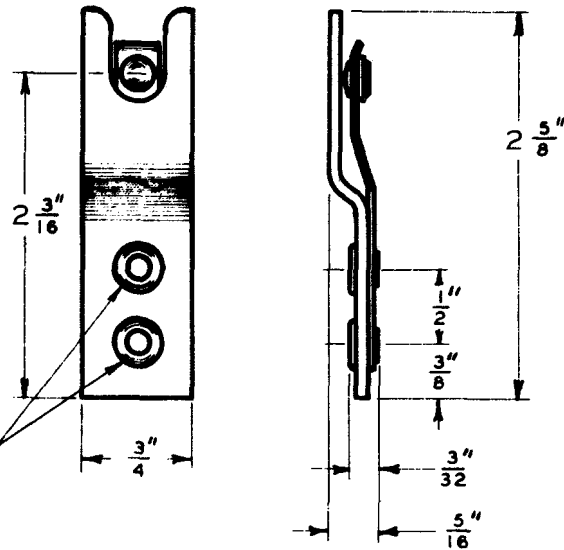
NO: 106 Issue No. 2

DATE: June 1945

SUBJECT: "100" Series
Military-type Carbon Microphones
Models 101B, 102B, 105B



MOUNTING



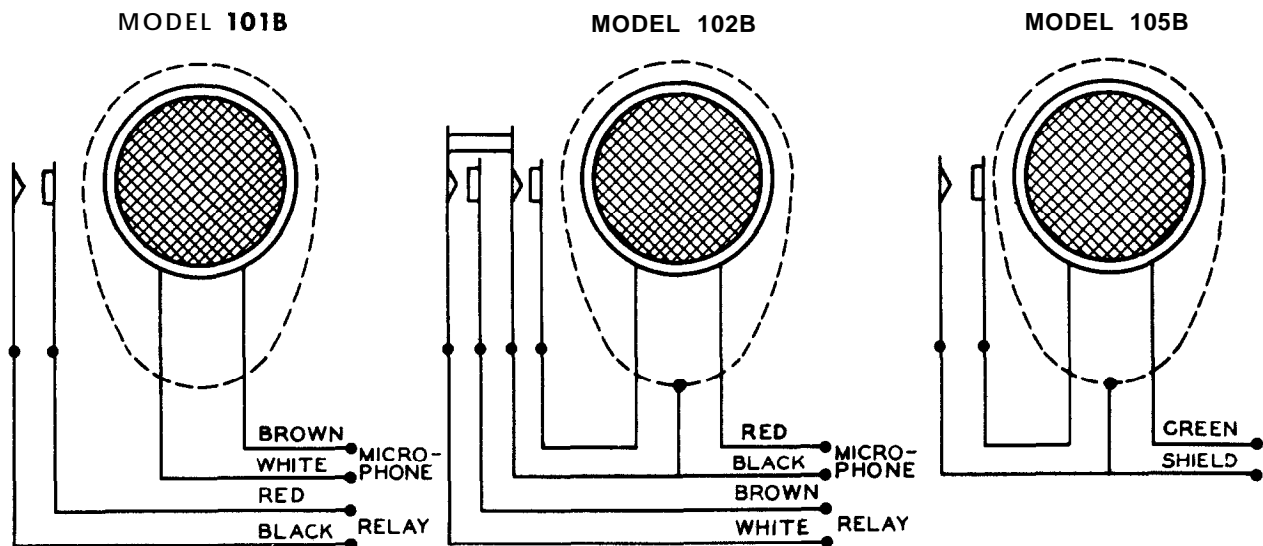
Mounting Holes
Clearance for
No. 6 Screw

NOTE:

HANGER "A" &
MOUNTING STUD
"B" OPTIONAL.

FOR MOUNTING
BRACKET SPECIFY
ASSEMBLY 94-107.

STANDARD SWITCH and CABLE ASSEMBLIES



No Microphone Switch.
Relay Switch Normally Open.

Microphone Switch Normally Open.
Relay Switch Normally Open.

Microphone Switch Normally Open.
No Relay Switch.

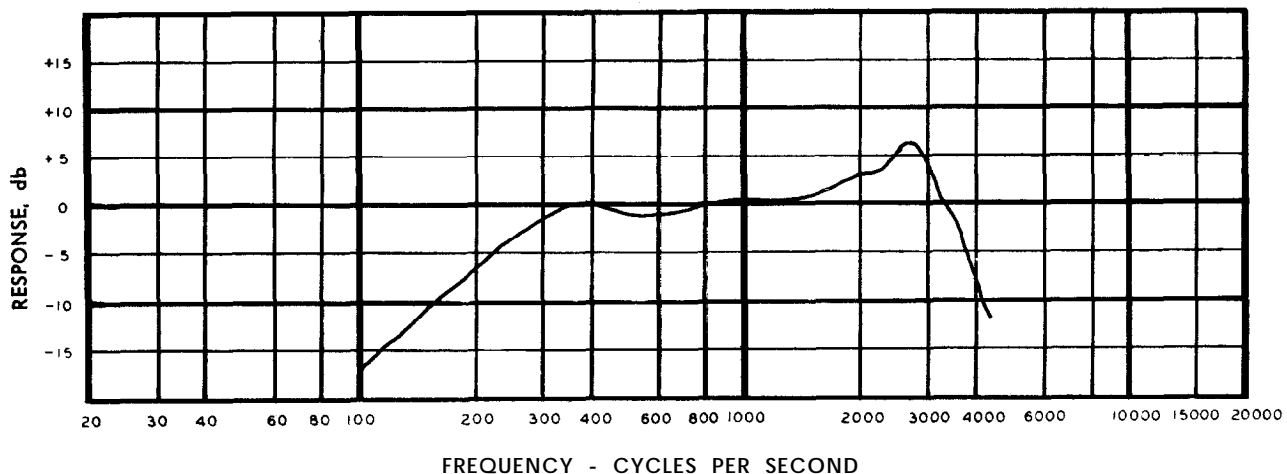
Four Conductor Unshielded Cable.

Four Conductor Unshielded Cable.

Single Conductor Shielded Cable.

Other Switch and Cable Combinations Available on Special Order

TYPICAL FREQUENCY RESPONSE MODELS 101B, 102B, 105B



0 db = 40 db Below One Volt Per Dyne Per Square Centimeter
Recommended Operating Current - up to 60 Milliampere,
Microphone Resistance - 30 to 50 Ohms