

Product Specifications

Beta® 98A Miniature Cardioid Condenser Microphone

Overview

The Shure Beta 98A miniature cardioid condenser microphones are precision-engineered for professional drum and instrument in live and studio applications. The Beta 98AD/C is designed for use with toms, snares and percussion instruments in both sound reinforcement and recording applications. A flexible gooseneck mount allows for accurate placement in any configuration, customization for specific applications. The Beta 98A/C features a highly compact design which provides a variety of placement options for acoustic or amplified instruments including drums, piano, reed, wind, and strings.

Features

- Uniform cardioid polar pattern provides maximum gain-before-feedback and rejection of off-axis sound for smooth high-end response and control
- Frequency response tailored for drums and percussion applications with a wide dynamic range for use in high SPL environments
- Precision-engineered design for unobtrusive microphone footprint
- Beta 98A models ship with external in-line preamplifier for discrete cable placement
- Beta 98AD/C ships with A98D Drum mount featuring a flexible gooseneck for precise placement and secure attachment
- Beta 98A/C ships with RK282 shock mount swivel adapter for attachment to any standard microphone stand
- Each model furnished with snap-fit windscreens and zipper pouch

Available Models

BETA 98AD/C	Miniature Cardioid Condenser Drum Microphone
BETA 98A/C	Miniature Cardioid Condenser Microphone

Specifications

Cartridge Type	Electret Condenser
Frequency Response	20 to 20,000 Hz
Polar Pattern	Cardioid
Output Impedance	179 Ω
Sensitivity <i>(at 1 kHz, open circuit voltage)</i>	-48.0 dBV/Pa (4.0 mV)
Maximum SPL <i>(1 kHz at 1% THD, 1kΩ load)</i>	144 dB
Signal-to-Noise Ratio <i>(referenced at 94 dB SPL at 1 kHz)</i>	64 dB <i>S/N ratio is difference between 94 dB SPL and equivalent SPL of self noise, A-weighted</i>
Dynamic Range <i>(at 1 kHz, 1kΩ load)</i>	114 dB
Clipping Level <i>(1 kHz at 0.25% THD, 1kΩ load)</i>	1.0 dBV (1.26 V)
Self-Noise <i>(Typical, equivalent SPL, A-weighted)</i>	30 dB SPL
Polarity	Positive pressure on diaphragm produces positive voltage on pin 2 with respect to pin 3
Weight	Net: 12 g (0.6 oz.)
Connector	Three-pin professional audio (XLR), male, balanced
Power Requirements	11–52 VDC phantom power (IEC-61938), 3.6 mA



Beta 98AD/C

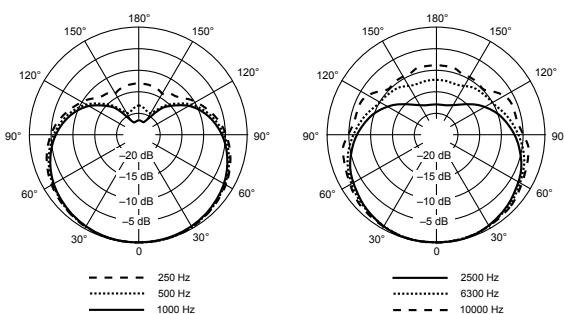


Beta 98A/C

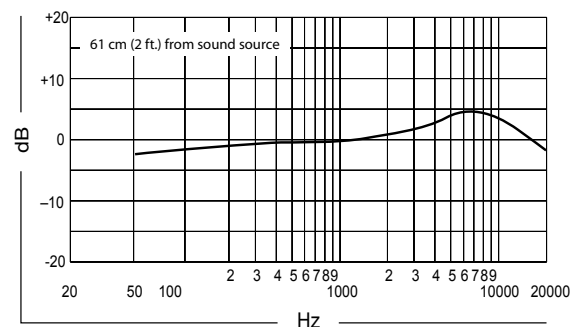
Accessories and Replacement Parts

RPM626	In-Line Preamplifier	95A2314	Carrying/Storage Bag
A98D	Beta 98 Drum Mount (98D/S)	C98D	4.6 m (15 ft.) Heavy-Duty Cable (BETA 98D/S)
RK282	Shock-Mount Swivel Adapter (98D/S)	95A2398	7.6 m (25 ft.) light-weight cable (BETA 98/S)
RK183WS	Snap-fit Windscreens		

Polar Pattern



Frequency Response



SHURE®

LEGENDARY
PERFORMANCE™

www.shure.com

©2015 Shure Incorporated