

SHURE MXCSIGN

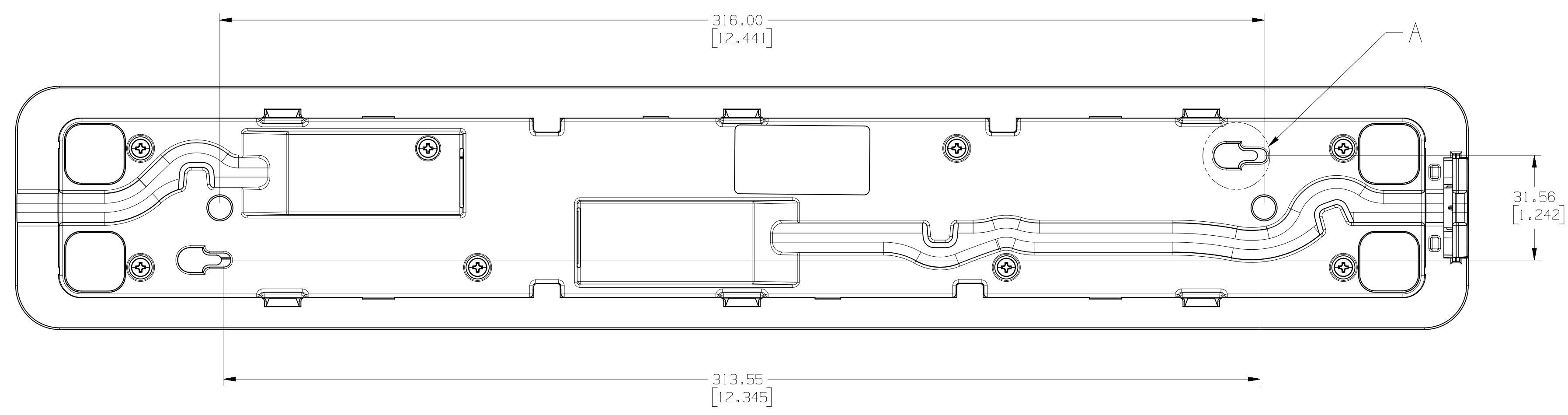
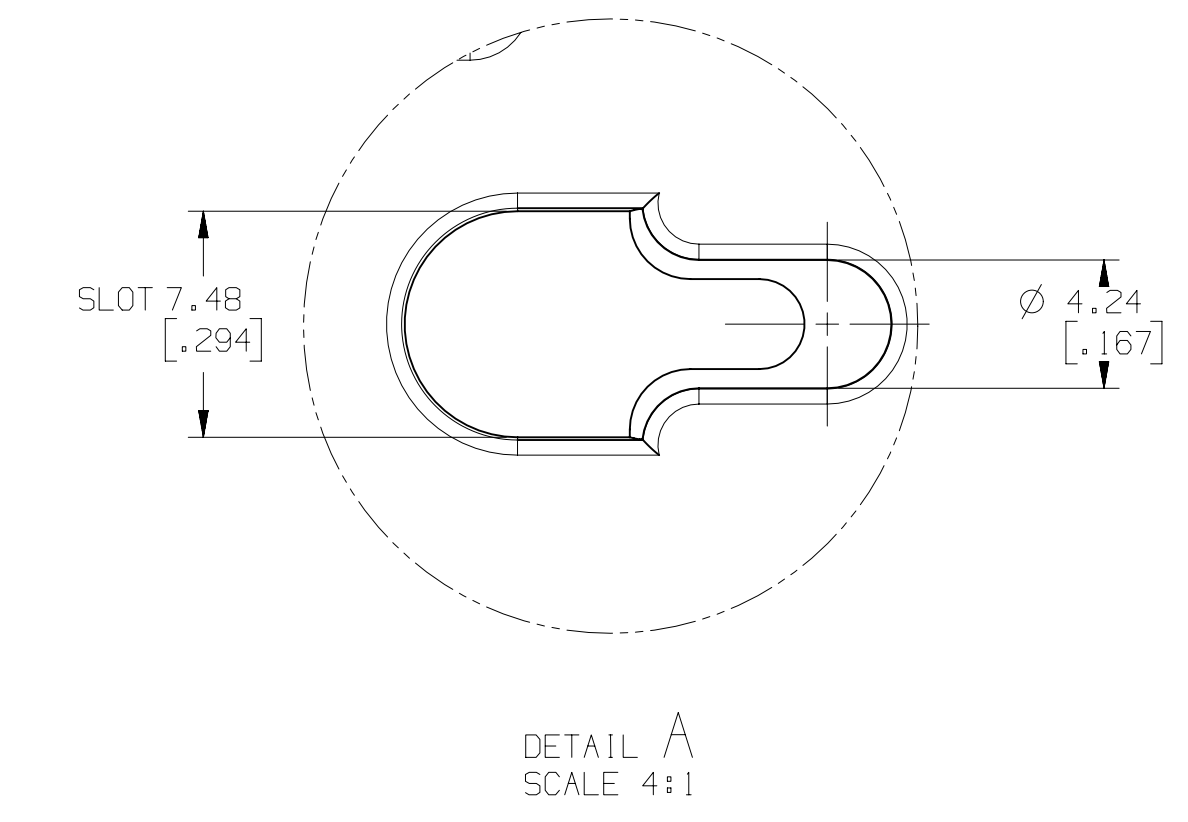
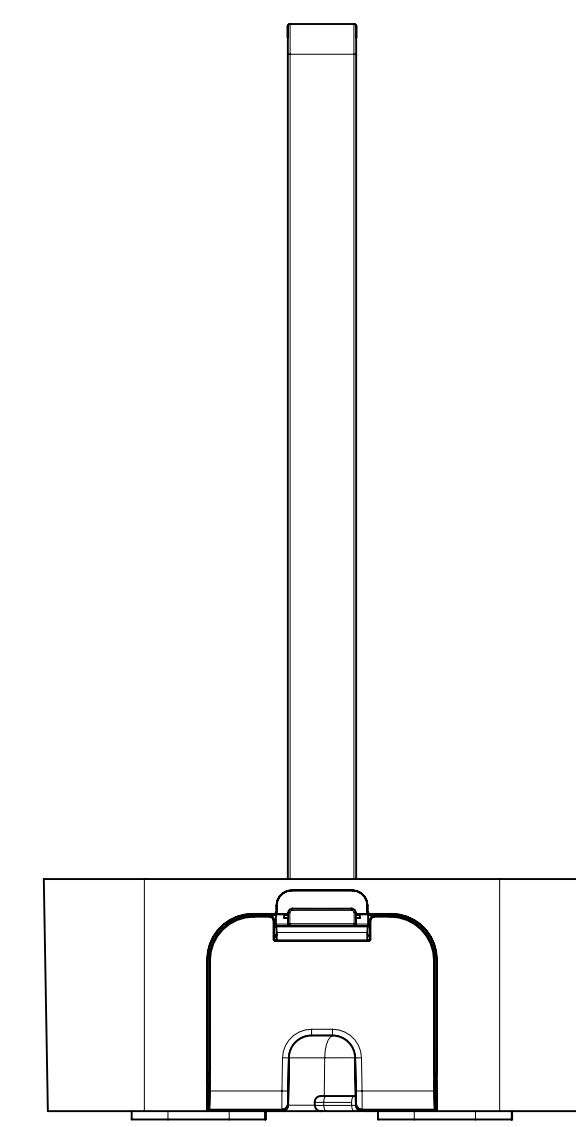
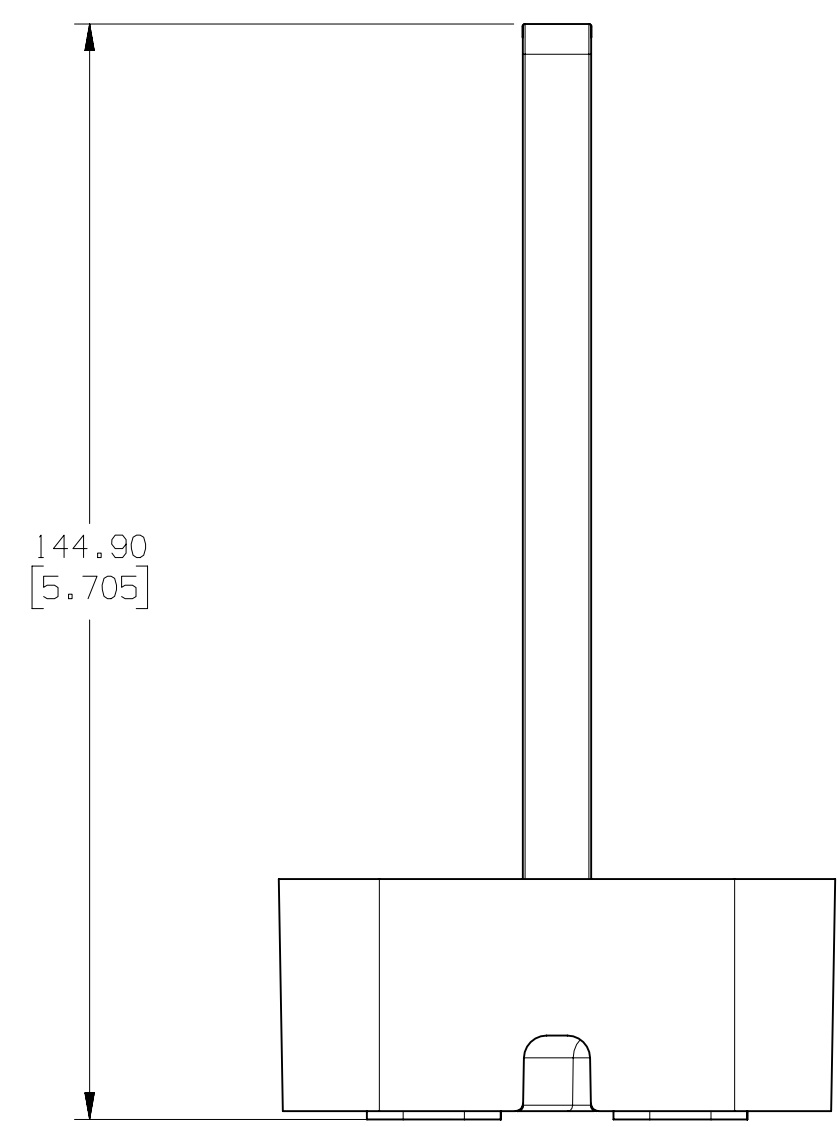
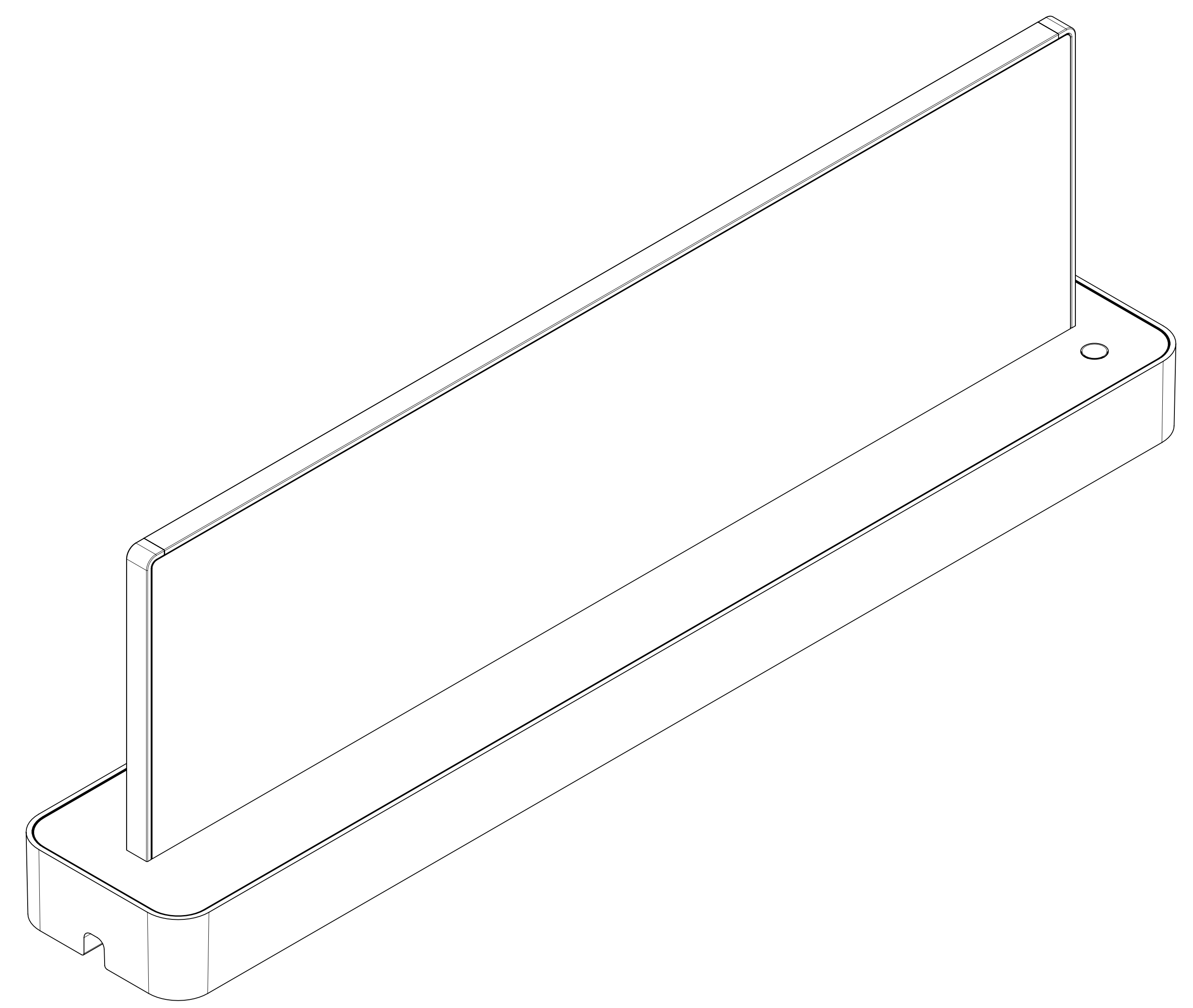
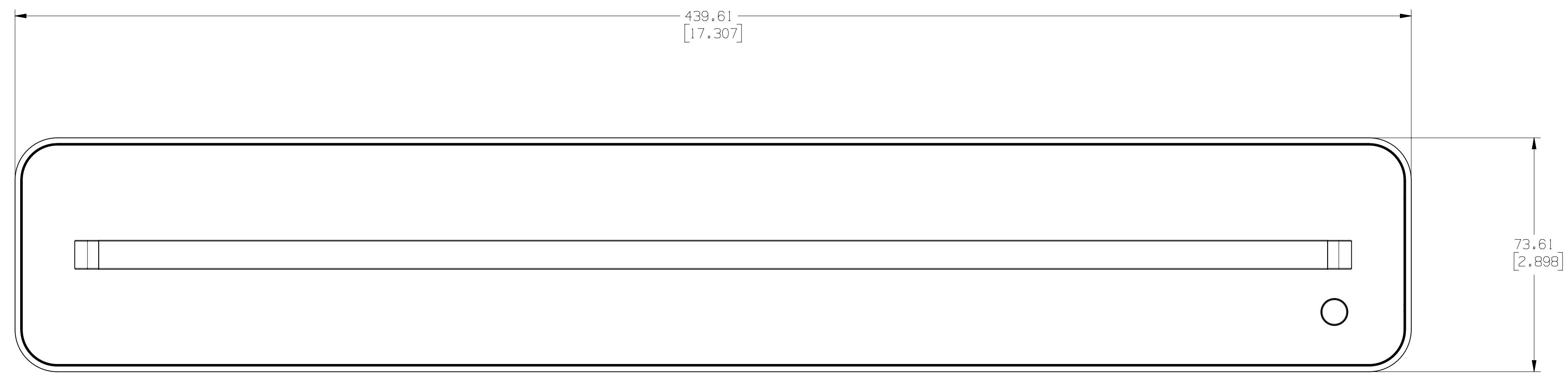


Table fix:
Drill 2PCS Ø6.0mm(Recommend) through hole for
M4 HEX head metric machine screw
Screw length depends on the table thickness